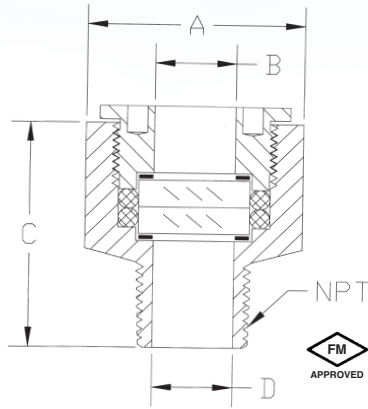


Bull's-Eye

Engineering Information:

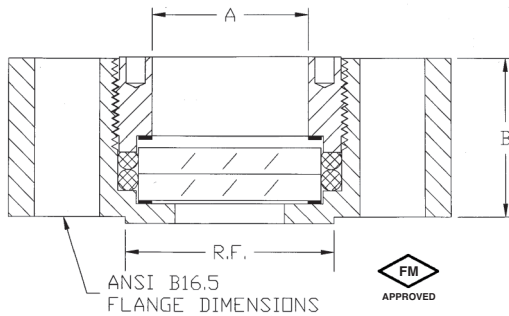


NPT

All dimensions in inches.

| NPT | A | B | C | D |
|-------|-------|-------|---------|-------|
| 1/2 | 2 | 3/4 | 2 3/32 | 0.546 |
| 3/4 | 2 | 3/4 | 2 3/32 | 0.742 |
| 1 | 2 3/4 | 1 1/2 | 2 15/32 | 0.957 |
| 1 1/4 | 2 3/4 | 1 1/2 | 2 15/32 | 1.380 |
| 1 1/2 | 2 3/4 | 1 1/2 | 2 15/32 | 1.500 |
| 2 | 2 3/4 | 1 1/2 | 2 15/32 | 1.500 |

- This unit can be furnished with other types of threaded connections upon request.

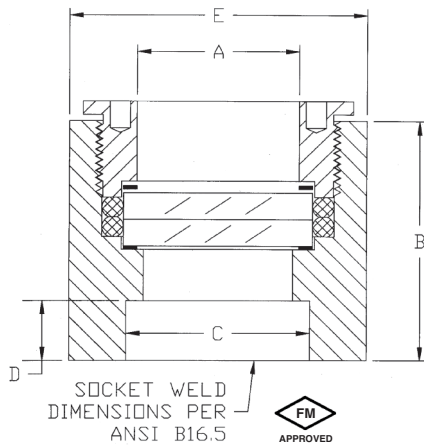


Flange

All dimensions in inches.

| Flange | A | B | R.F. |
|--------|-------|-------|---------|
| 1/2 | 3/4 | 1 3/8 | 1 3/8 |
| 3/4 | 3/4 | 1 3/8 | 1 11/16 |
| 1 | 1 1/2 | 1 1/2 | 2 |
| 1 1/4 | 1 1/2 | 1 1/2 | 2 1/2 |
| 1 1/2 | 1 1/2 | 1 1/2 | 2 7/8 |

- Applications requiring DIN standards or non-ANSI flanges are available upon request.



Socket-Weld

All dimensions are in inches.

| Size | A | B | C | D | E |
|-------|-------|---------|------|------|-------|
| 1/2 | 3/4 | 1 7/8 | 0.88 | 3/8 | 2 |
| 3/4 | 3/4 | 1 15/16 | 1.09 | 7/16 | 2 |
| 1 | 1 1/2 | 2 | 1.36 | 1/2 | 2 3/4 |
| 1 1/4 | 1 1/2 | 2 1/16 | 1.70 | 9/16 | 2 3/4 |
| 1 1/2 | 1 1/2 | 2 1/8 | 1.95 | 5/8 | 2 3/4 |

- Other weld-in designs or female NPT connections are available upon request.