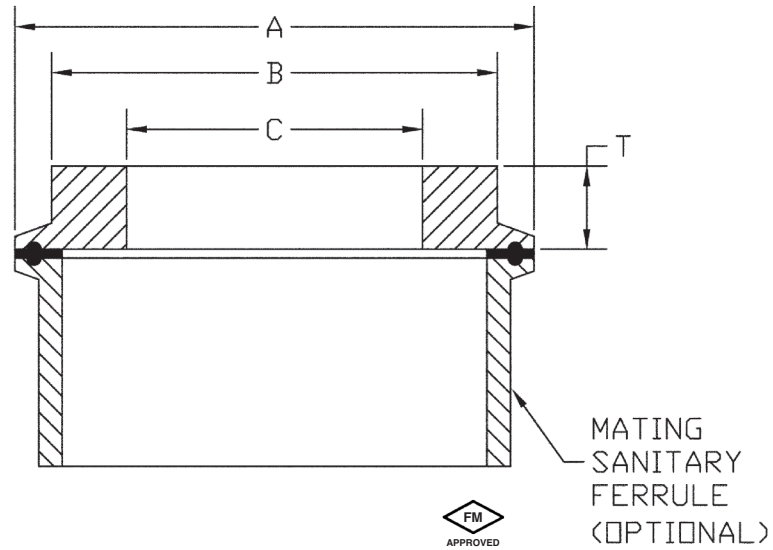


DuraPort Sanitary

Engineering Information:



SANITARY SIZE	DIM A	DIM B	DIM C	DIM T
1	1.984	1.563	0.984	0.438
1 1/2	1.984	1.563	0.984	0.438
2	2.516	2.192	1.188	0.438
3	3.579	3.246	2.000	0.688
4	4.682	4.256	3.000	0.688
6	6.545	6.000	4.000	0.688
8	8.570	8.000	5.000	0.688

Note: All dimensions in inches.