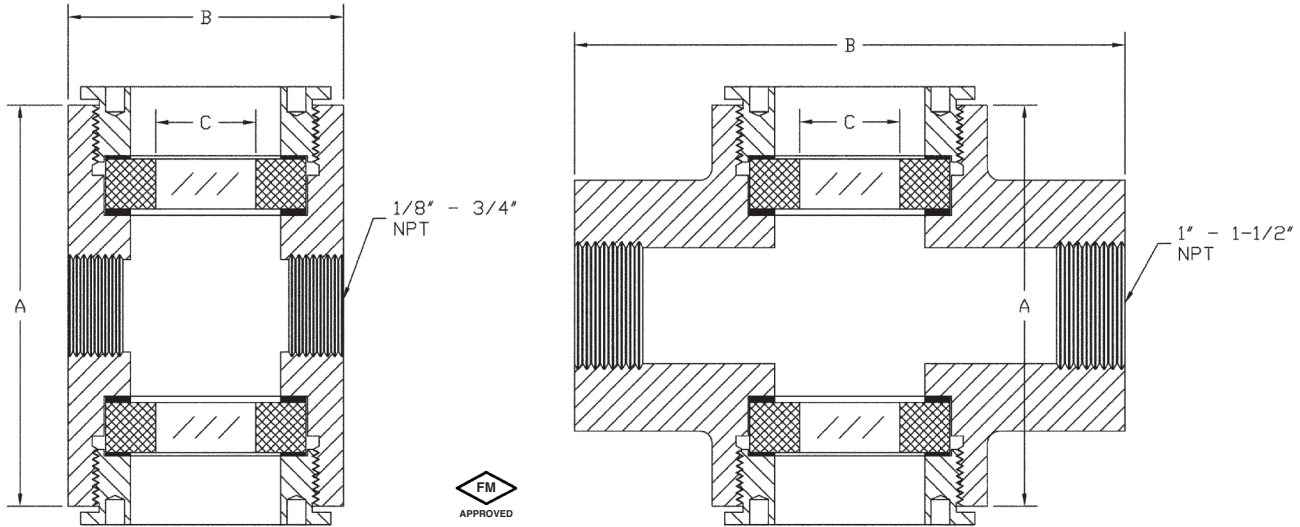


# DuraPort Threaded See-Through

## Engineering Information:



150# ANSI SIZE	DIM A	DIM B	DIM C
1/8	3 3/8	2 3/4	1
1/4	3 3/8	2 3/4	1
3/8	3 3/8	2 3/4	1
1/2	3 3/8	2 3/4	1
3/4	3 3/4	2 3/4	1
1	4	5 1/2	1
1 1/4	4 3/8	5 1/2	1
1 1/2	4 5/8	5 1/2	1

Note: All dimensions in inches.

**Connection Options:** NPT (Standard), Socket Weld, Weld-Neck Flanges, Sanitary, Straight Thread, Butt Weld

**Flow Indicator Options:** Rotor, Flapper, Drip Tube