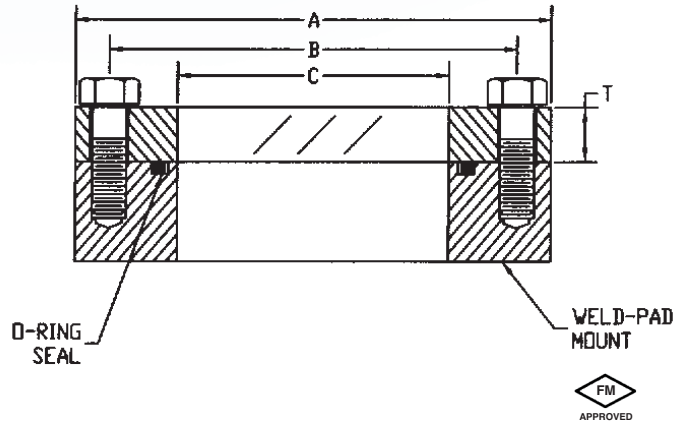


DuraPort Weld-In

Engineering Information:



150# SIZE	DIM A	DIM B	DIM C	DIM D	DIM E	DIM T
2	4 3/4	3 3/4	2	1 1/8	1	11/16
3	5 3/4	4 3/4	3	1 1/4	1	11/16
4	7	6	4	1 1/4	1	11/16
6	9	8	5	1 1/8	1	15/16
8	12	10 1/2	6	1 1/2	1	15/16

300# SIZE	DIM A	DIM B	DIM C	DIM D	DIM E	DIM T
2	4 3/4	3 3/4	2	1 1/4	1	11/16
3	5 3/4	4 3/4	3	1 1/4	1	11/16
4	7	6	4	1 3/8	1 1/4	15/16
6	9	8	5	1 1/2	1 1/4	15/16
8	12	10 1/2	6	1 3/4	1 1/4	1 1/8

Note: All dimensions in inches.

Consult PPC for custom sizes and materials.