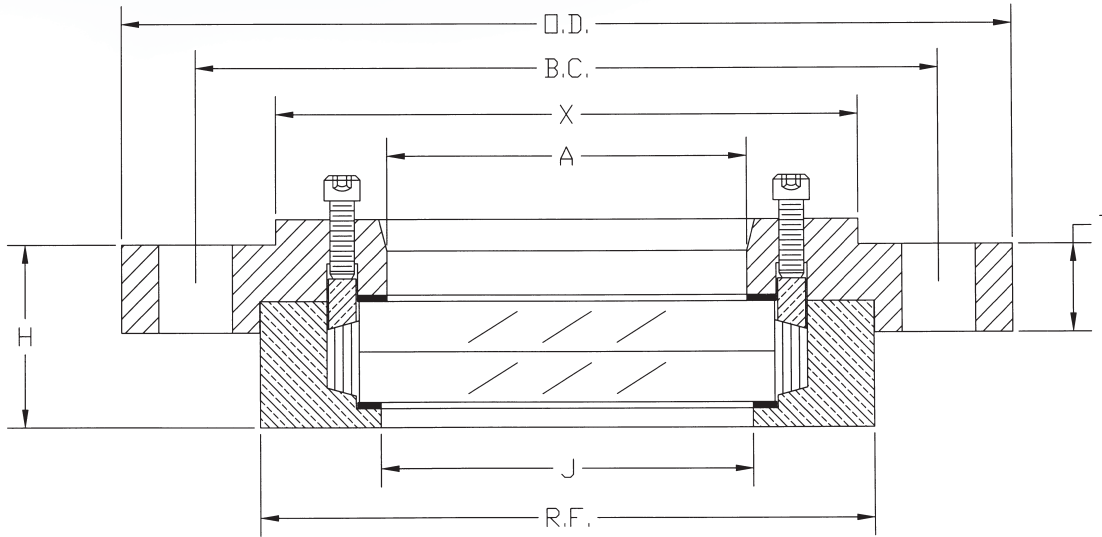


# Model I Slip-On

## Engineering Information:



Size inch-psi	O.D.	A	T	R.F.	J	H	X	No. of Bolt Holes	Diam. of Bolt Holes	Diam. of Bolt Circle
2-150	6	1 3/4	11/16	3 5/8	1 15/16	2 1/16	3 1/2	4	3/4	4 3/4
2-300	6 1/2	1 3/4	13/16	3 5/8	1 15/16	2 1/16	3 5/8	8	3/4	5
3-150	7 1/2	2 5/8	7/8	5	2 7/8	2 1/16	4 5/8	4	3/4	6
3-300	8 1/4	2 5/8	1 1/16	5	2 7/8	2 1/16	4 5/8	8	7/8	6 5/8
4-150	9	3 5/8	7/8	6 3/16	3 3/4	2 1/16	5 7/8	8	3/4	7 1/2
4-300	10	3 5/8	1 3/16	6 3/16	3 3/4	2 5/16	6	8	7/8	7 7/8
6-150	11	5 1/2	15/16	8 1/2	5 3/4	2 9/16	8	8	7/8	9 1/2
6-300	12 1/2	5 1/2	1 3/8	8 1/2	5 3/4	3 1/16	8 3/8	12	7/8	10 5/8
8-150	13 1/2	7 3/8	1 1/16	10 5/8	7 11/16	3 1/16	10 1/4	8	7/8	11 3/4
8-300	15	7 3/8	1 9/16	10 5/8	7 11/16	3 5/16	10 1/2	12	1	13

Note: Applications requiring DIN standards or non-ANSI flanges are available upon request.