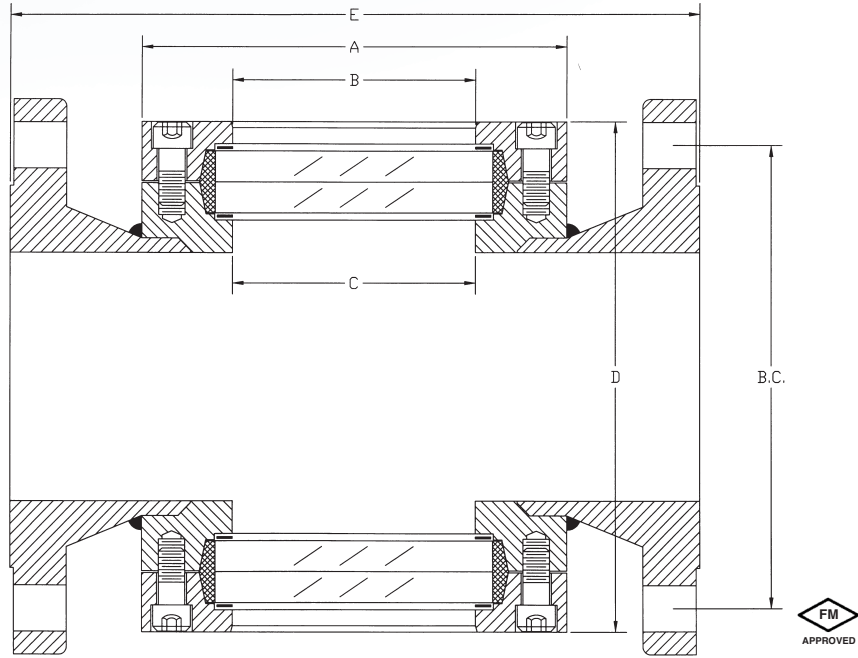


# Model L Safesite

## Engineering Information:



Size inch-psi	A	B	C	D	E	B.C.	No. of Bolt Holes	Dia. of Bolt Holes
2-100	4 3/4	2	2	5 1/4	9 1/8	4 3/4	4	3/4
3-100	5 3/4	3	3	7	10 1/8	6	4	3/4
4-100	7	4	4	8	11 3/8	7 1/2	8	3/4
6-100	9	6	6	10	13 1/8	9 1/2	8	7/8
8-100	12	8	8	13	16 3/8	11 3/4	8	7/8

- Patent No. 5,210,658
- This unit can also be furnished with any ANSI B16.5 flange, butt weld, or threaded connections, sanitary, as well as "T" and 90-degree angle flows.
- Applications requiring DIN standards or non-ANSI flanges are available upon request.

