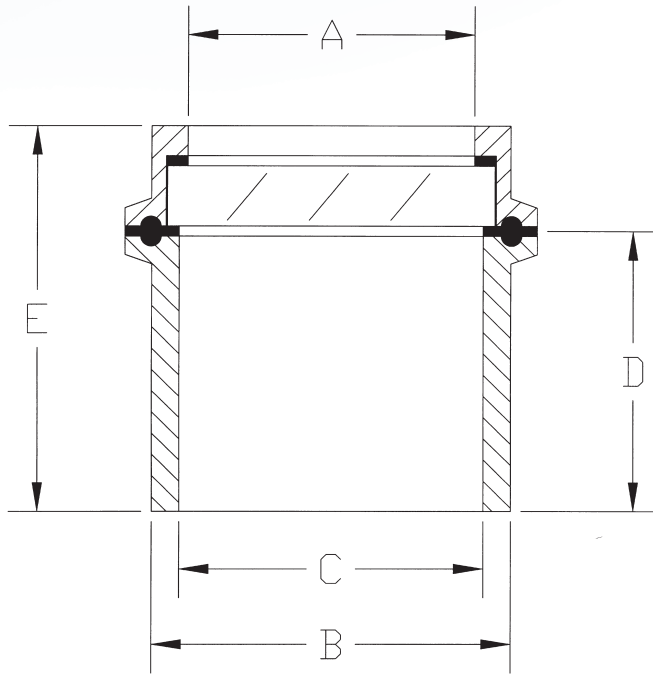


Type III – with Sanitary Clamp

Engineering Information:



Size	A	B	C	D	E
1	$\frac{7}{8}$	$1 \frac{3}{16}$	$\frac{7}{8}$	$1 \frac{5}{8}$	$2 \frac{3}{8}$
1 1/2	1	$1 \frac{5}{8}$	$1 \frac{3}{8}$	$1 \frac{5}{8}$	$2 \frac{3}{8}$
2	$1 \frac{1}{2}$	$2 \frac{3}{16}$	$1 \frac{7}{8}$	$1 \frac{3}{4}$	$2 \frac{1}{2}$
2 1/2	$2 \frac{1}{2}$	$2 \frac{3}{4}$	$2 \frac{3}{8}$	$1 \frac{3}{4}$	$2 \frac{1}{2}$
3	$2 \frac{1}{2}$	$3 \frac{1}{4}$	$2 \frac{7}{8}$	$1 \frac{3}{16}$	$2 \frac{9}{16}$
4	$3 \frac{1}{2}$	$4 \frac{1}{4}$	$3 \frac{7}{8}$	$2 \frac{1}{8}$	$2 \frac{15}{16}$