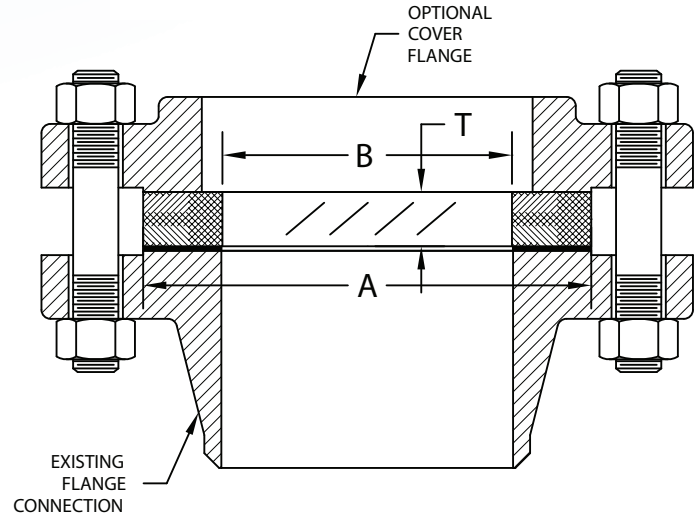
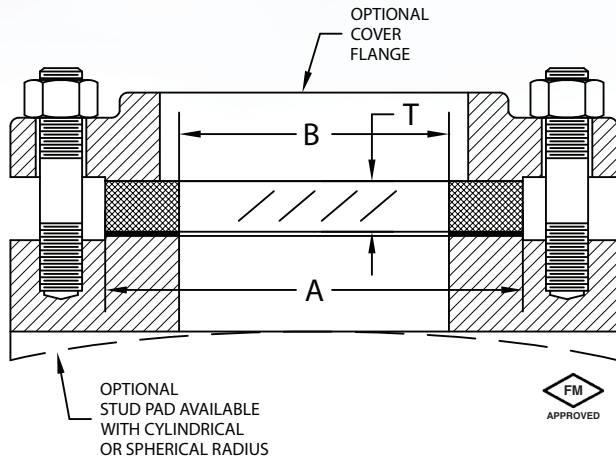


# DuraPort Raised Face Flange

## Engineering Information:



## Borosilicate

150# ANSI SIZE	DIM A	DIM B	DIM T
1	2 1/2	1	7/16
1 1/2	3 1/4	1 1/2	7/16
2	4	2	1/2
3	5 1/4	3	11/16
4	6 3/4	4	11/16
6	8 5/8	5	15/16
8	10 7/8	6	15/16

300# ANSI SIZE	DIM A	DIM B	DIM T
1	2 3/4	1	7/16
1 1/2	3 5/8	1 1/2	7/16
2	4 1/4	2	11/16
3	5 3/4	3	11/16
4	7	4	15/16
6	9 5/8	5	15/16
8	12	6	1 1/8

Note: All dimensions in inches.

Units above for ANSI raised face or flat face flange or weld pad connections, different sizes available upon request.

Consult PPC for custom sizes and materials.