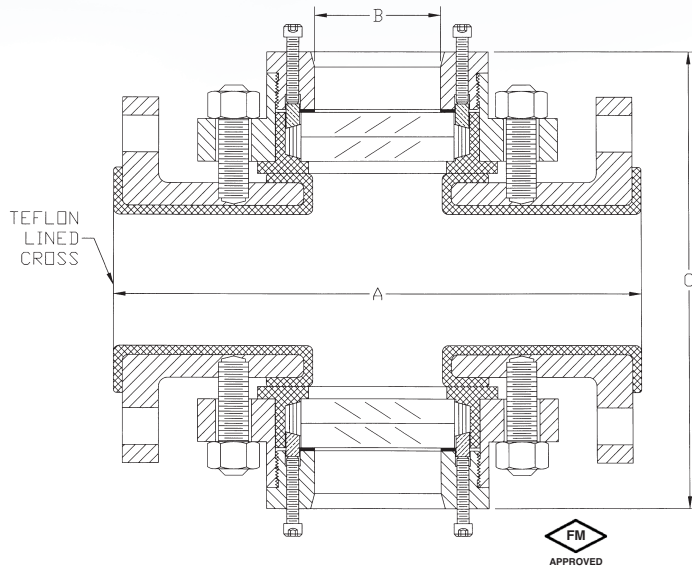


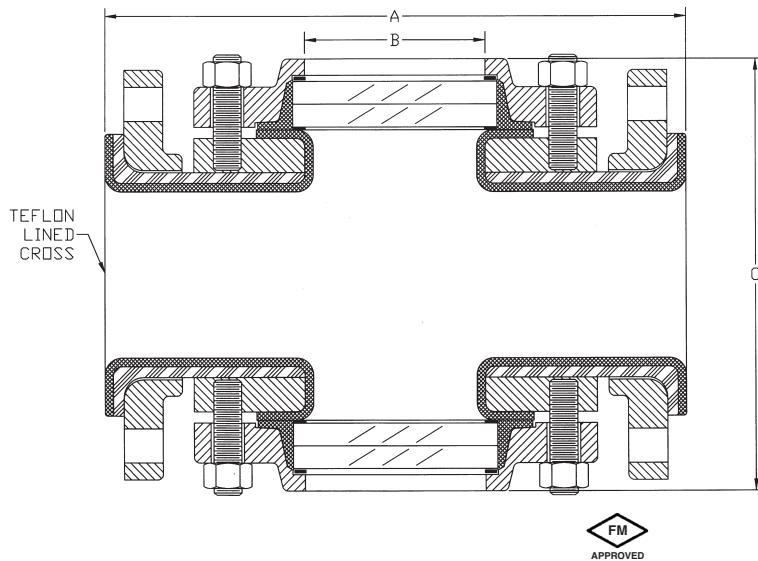
# Teflon® Lined Safesite

## Engineering Information:



Size	A	B	C
1.5"-150	8"	1 3/4"	7 1/2"
2"-150	9"	1 3/4"	7 1/2"
3"-150	11"	2 5/8"	8 1/2"
4"-150	13"	3 5/8"	9 1/2"
6"-150	16"	5 1/2"	12 1/2"
8"-150	18"	7 3/8"	16"

- Please refer to the Model I Flange with Teflon® insert for more information about the sight glass components.



Size	A	B	C
2"-100	9"	2"	6"
3"-100	11"	3"	7 1/2"
4"-100	13"	4"	9 1/2"
6"-100	16"	6"	11 1/4"
8"-100	18"	8"	13 1/2"

- Please refer to the Model L Flange with Teflon® seal for more information about the sight glass components.